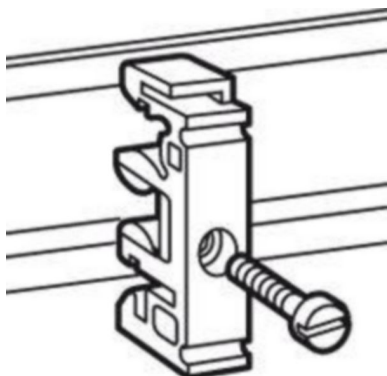


# Product sheet



LEGRAND

Fixing equipment - on rails EN 60715 - for M5 screw

REF. 036479 | EAN. 3245060364793

[> Visit e-catalogue](#)

## Product characteristics

- Uprights, rails and fixing Accessories for cabinets and enclosures - For mounting chassis and fixing wiring Accessories
- Fixing Accessories On asymmetrical and symmetrical rails EN 60 715 - For M6 screws

## Documentation

### CATALOGUE PAGE & OTHERS

 [ex223001\\_0439.pdf](#) | PDF (0.23Mo)