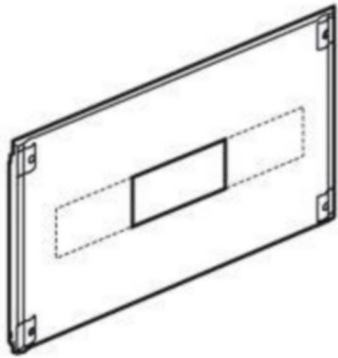


# Product sheet



XL<sup>3</sup> 800/4000 LEGRAND

Rear and side panels XL<sup>3</sup> 4000/6300 - height 2200 mm  
- width 725 mm

REF. 020801 | EAN. 3245060208011

[> Visit e-catalogue](#)

## Product characteristics

- Equipment for XL<sup>3</sup> 4000 - for modular devices, Vistop, DPX<sup>3</sup> 160/250, DPX - IS 250 on symmetrical rail
- Metal faceplates For Vistop up to 160 A - 24 modules - For fastening and sealing - 1/4 turn

## Documentation

### TECHNICAL DOCUMENTATION

EXB15002\_CA\_XL3-4000-6300\_EN.pdf | PDF (51.43Mo)

### Agreements & Certificates

LOVAG-IT 12.073 | (0.58Mo)

LOVAG-IT 12.017 | (0.13Mo)

LOVAG-IT 12.067 | (0.55Mo)

LOVAG-IT 12.019 | (0.59Mo)

LGRP-2011-079-V1-FR.pdf | PDF (0.18Mo)

LOVAG-IT 12.075 | (0.58Mo)

LOVAG-IT 12.074 | (0.59Mo)

### CATALOGUE PAGE & OTHERS

ex223001\_0384.pdf | PDF (0.22Mo)