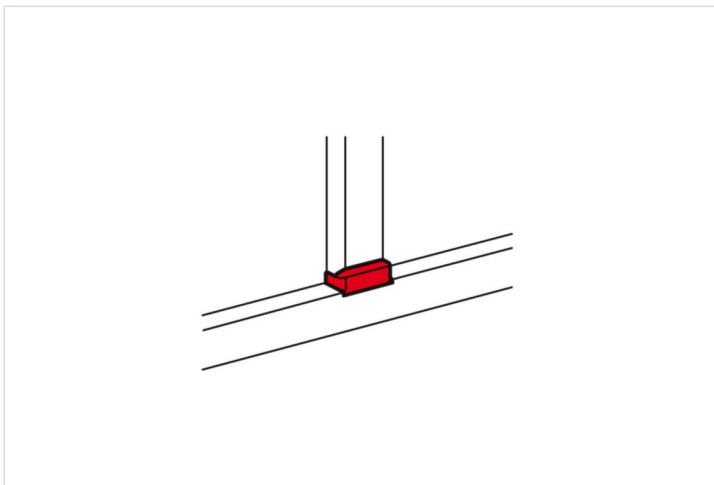


Product sheet



DLP LEGRAND

Flat junction for universal Aluminium trunking
50x105mm to another 65x150mm/195mm

REF. 011253 | EAN. 3245060112530

[> Visit e-catalogue](#)

Product characteristics

- Respect the protection index
- Improvement of aesthetics (covering of the cut)
- Colour : grey aluminium

The product's benefits

Installation

- Clips directly on the body of the trunking

Usage

- Allows the junction in "T" of two same sections

Documentation


TECHNICAL DOCUMENTATION

 [F00639FR-04.pdf](#) | PDF (0.95Mo)

 [F00639EN-04.pdf](#) | PDF (0.91Mo)

 [104870321_03.pdf](#) | PDF (0.34Mo)

Agreements & Certificates

 [LGRP-2014-040-V1-EN.pdf](#) | PDF (1.34Mo)

CATALOGUE PAGE & OTHERS

 [ex223001_1095.pdf](#) | PDF (0.05Mo)

 [ex223001_1092.pdf](#) | PDF (0.09Mo)

 [ex223001_1093.pdf](#) | PDF (0.09Mo)