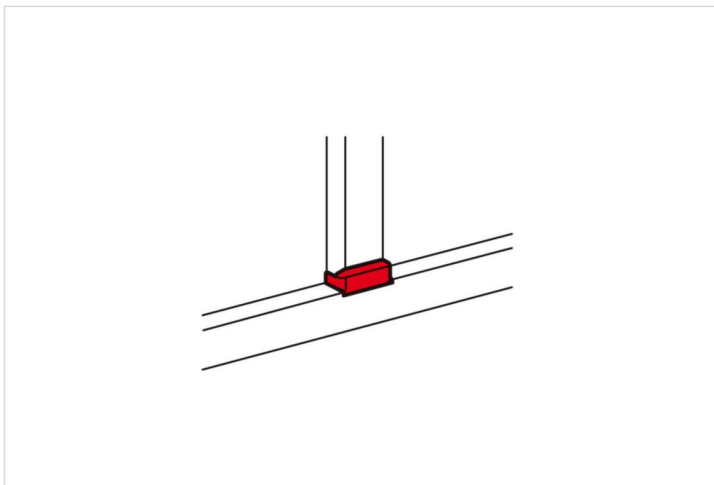


# Product sheet



DLP LEGRAND

Flat junction for universal Aluminium trunking  
50x105mm to another 50x105mm/150mm/195mm with  
cover 85mm

REF. 011251 | EAN. 3245060112516

[> Visit e-catalogue](#)

## Product characteristics

- Respect the protection index
- Improvement of aesthetics (covering of the cut)
- Colour : grey aluminium

## The product's benefits

### Installation

- Clips directly on the body of the trunking

### Usage

- Allows the junction in "T" of two same sections

## Documentation


### TECHNICAL DOCUMENTATION

 F00639FR-04.pdf | PDF (0.95Mo)

 F00639EN-04.pdf | PDF (0.91Mo)

 104870321\_03.pdf | PDF (0.34Mo)

### Agreements & Certificates

 LGRP-2014-040-V1-EN.pdf | PDF (1.34Mo)

### CATALOGUE PAGE & OTHERS

 ex223001\_1095.pdf | PDF (0.05Mo)

 ex223001\_1092.pdf | PDF (0.09Mo)

 ex223001\_1093.pdf | PDF (0.09Mo)