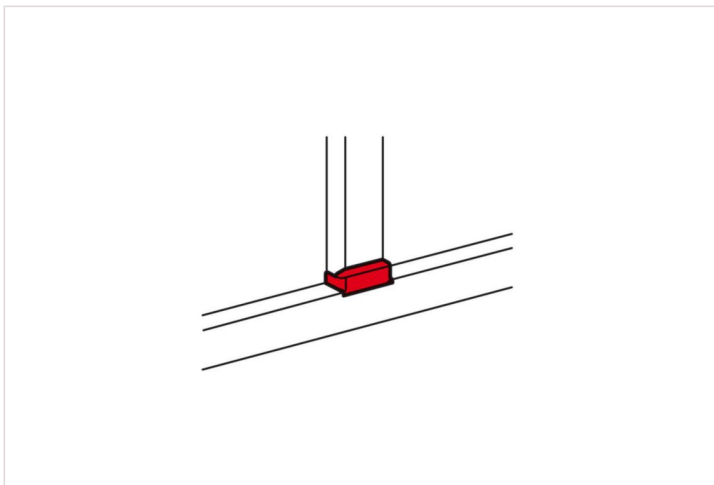


Product sheet



DLP LEGRAND

Flat junction for DLP universal trunking (for tap-off to a 80mm wide profile)

REF. 010735 | EAN. 3245060107352

> [Visit e-catalogue](#)

Product characteristics

- Respect the protection index
- Improvement of aesthetics (covering of the cut)
- Colour : white

The product's benefits

Installation

- Clips on the body of the trunking

Usage

- Allows to tap-off to an 80mm wide trunking

Documentation

TECHNICAL DOCUMENTATION

F00885EN-04.pdf | PDF (1.66Mo)

F00885FR-03.pdf | PDF (1.99Mo)

104870321_03.pdf | PDF (0.34Mo)

CAD & Design specs / BIM

BIM-LEGRAND-GOULOTTES-BELGIQUE-2024.rvt | RVT (23.93Mo)

BIM-LEGRAND-TRUNKING-EXPORT-2024.rvt | RVT (14.36Mo)

BIM-LEGRAND-GOULOTTES-FRANCE-2024.rvt | RVT (13.17Mo)

CATALOGUE PAGE & OTHERS

ex223001_1073.pdf | PDF (0.11Mo)

Agreements & Certificates

LGRP-01605-V02.01-EN.pdf | PDF (0.75Mo)

NF 004-601796A | (0.42Mo)

LGRP-01605-V02.01-FR.pdf | PDF (0.71Mo)